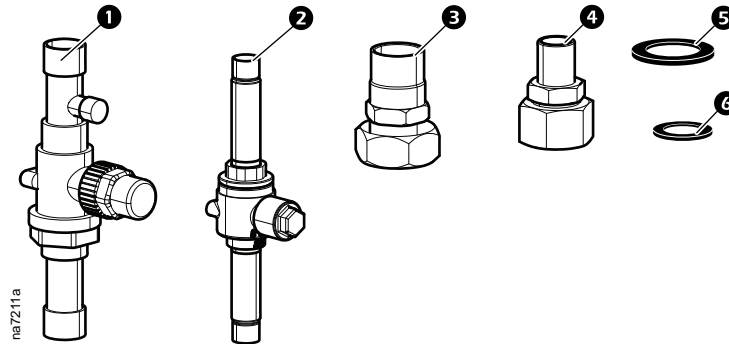


Ball Valve and Union—ACAC10037

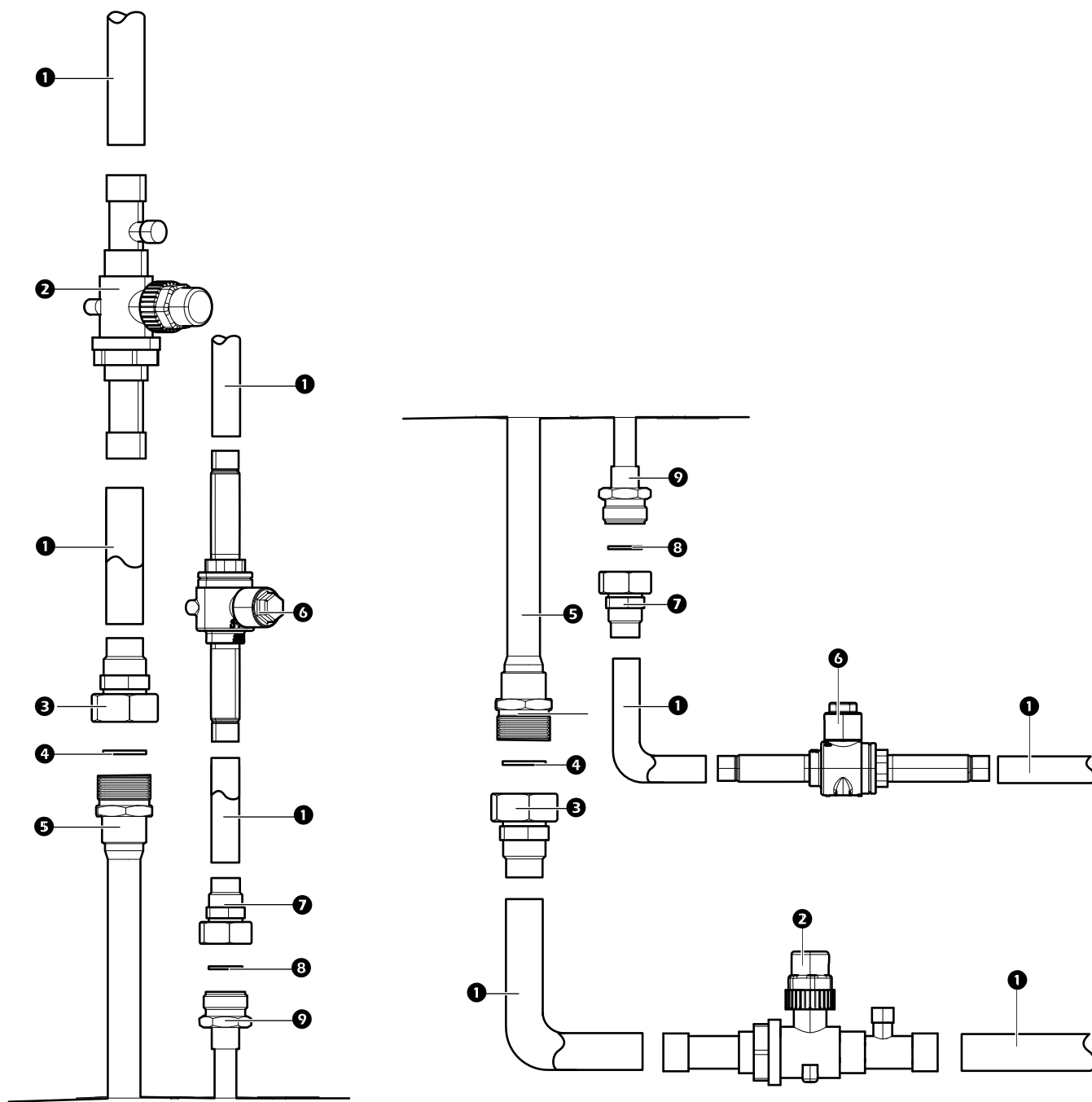
Inventory



Item	Description	Quantity
❶	Ball valve—22 mm	1
❷	Ball valve—1/2-in. ODF	1
❸	Straight adapter—1 1/4 in. to 7/8 in.	1
❹	Straight adapter—1 1/4 in. to 1/2 in.	1
❺	Gasket—1 1/4 in.	1
❻	Gasket—1 in.	1

Installation

Braze the connections for the suction and liquid lines as shown.



TOP CONNECTION

BOTTOM CONNECTION

na7212a

Item	Description
1	Customer piping (field supplied)
2	Ball valve—22 mm
3	Straight adapter—1 1/4 in. to 7/8 in.
4	Gasket—1 1/4 in.
5	Suction line in unit

Item	Description
6	Ball valve—1/2-in. ODF
7	Straight adapter—1 1/4 in. to 1/2 in.
8	Gasket—1 in.
9	Liquid line in unit